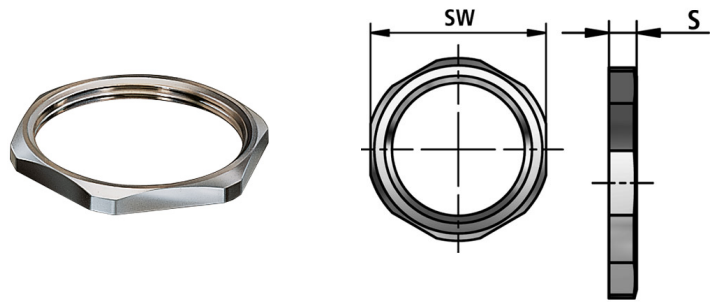


GM-M | for metric threads

Accessories

Counternut especially for metric metal threads



Temperature: -40 °C ... +200°C

Material: nickel-plated brass



FLEXA No.	Thread type	Colour	S [mm]	WS [mm]	Weight [kg/100]	PU [pcs.]
0531.000.010	M 10 x 1,0	Other	2,8	14	0,110	100
0531.000.012	M 12 x 1,5	Other	2,8	15	0,220	100
0531.000.016	M 16 x 1,5	Other	2,8	19	0,300	100
0531.000.020	M 20 x 1,5	Other	3,0	24	0,510	100
0531.000.025	M 25 x 1,5	Other	3,5	30	0,910	100
0531.000.032	M 32 x 1,5	Other	4,0	36	1,080	100
0531.000.040	M 40 x 1,5	Other	5,0	46	2,420	50
0531.000.050	M 50 x 1,5	Other	5,0	60	4,820	50
0531.000.063	M 63 x 1,5	Other	6,0	70	5,560	50

Recommendations for any areas of applications, products, or product combinations are issued to the best of FLEXA's knowledge and experience. The user is requested to check applicability of FLEXA products to specific applications and purposes prior to the use of the particular products. All documentation, illustrations, and charts published are subject to copyright and must not be copied, changed, used, or modified. Technical drawings, certificates, authorizations, and results by the FLEXA lab will be provided upon request. FLEXA will not be held liable for typographical or other errors and incorrect drawings. Technical modifications are subject to change without prior notice.